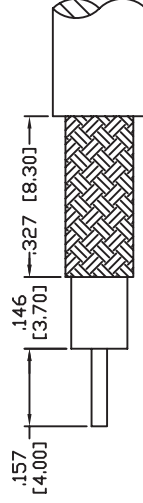
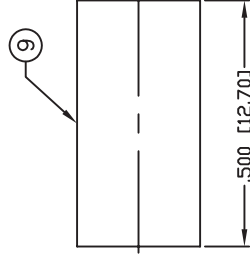
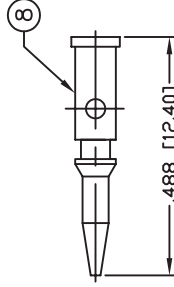
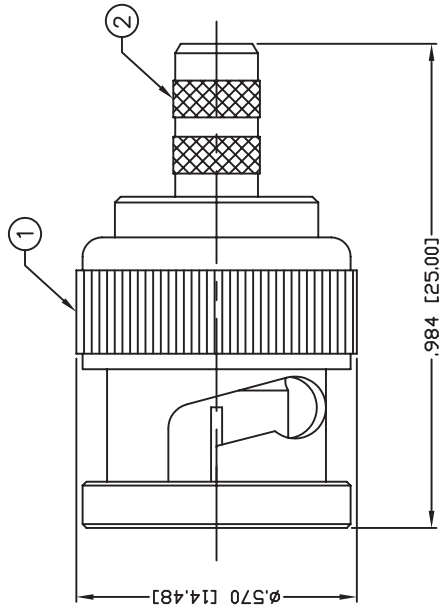


THIS DRAWING CONTAINS INFORMATION PROPRIETARY TO RF INDUSTRIES,
 ANY UNAUTHORIZED USE OF THIS DRAWING IS EXPRESSLY PROHIBITED
 WITHOUT WRITTEN PERMISSION FROM RF INDUSTRIES.
 ANY VIOLATION IS PUNISHABLE UNDER U.S. COPYRIGHT LAWS.

ALL DIMENSIONS ARE REFERENCE ONLY



SPECIFICATIONS:

IMPEDANCE: 50 OHMS
 FREQUENCY RANGE: 0-4 GHz
 VSWR: 1.3 Max.
 WORKING VOLTAGE: 500 V rms @ sea level
 TEMPERATURE RANGE: -65°C TO 165°C
 INSULATION RESISTANCE: 5k M Ohms min.
 FOR RG-55, 55A, 55B, 142, 142A, 142B, 223 & 400/U,
 ALPHA 9055, 9055B, 9223, BELDEN 8219, 83242, 84142, 9907

RECOMMENDED CABLE STRIPPING DIM'S

RECOMMENDED CRIMP SIZE: .068

RECOMMENDED CRIMP SIZE: .213

RFB-1106-C1

PART NO.

REV	DESCRIPTION	DWN	DATE	APPROVED
-	ENGINEERING RELEASE	JDM	3/4/98	JDMc

<p>UNLESS OTHERWISE SPECIFIED:</p> <ol style="list-style-type: none"> REMOVE ALL BURRS BREAK ALL CORNERS & EDGES .005 R. MAX. CHAMFER 1ST & LAST THREADS 45° SURFACE ROUGHNESS 63 FINISH MIL-STD-10 DIAMETERS ON COMMON CENTERS TO BE CONCENTRIC WITHIN .002 T.I.R. ALL DIMENSIONS ARE AFTER PLATING. 		<p>DIMENSIONS ARE IN INCHES AND [MILLIMETERS] UNLESS OTHERWISE NOTED TOLERANCES ARE:</p>		
<p>DECIMALS .XXX±.003 [.08]</p>		<p>DIAMETER .XXX±.001 [.03]</p>		
<p>.XX±.005 [.13]</p>		<p>.XX±.003 [.08]</p>		
<p>008974</p>		<p>4/30/09</p>		
<p>DRAWN JDM</p>		<p>CHECKED</p>		
<p>ORJ DRAWN JDM</p>		<p>3/4/98</p>		
<p>APPROVALS</p>		<p>DATE</p>		
#	DESCRIPTION	QTY	MATERIAL	FINISH
1	COUPLING NUT	1	BRASS	NICKEL 100 μ"
2	BODY	1	BRASS	NICKEL 100 μ"
3	INSULATOR	1	PTFE	---
4	GASKET	1	RUBBER	---
5	RETAINER RING	1	BRASS	NICKEL, 100 μ"
6	SPRING	1	SK5	NICKEL, 200 μ"
7	WASHER	1	BRASS	NICKEL 100 μ"
8	PIN	1	BRASS	GOLD, 3 μ"
9	FERRULE	1	BRASS	NICKEL 100 μ"
10				
11				
12				
13				
14				

RF connectors
 DIVISION OF RF INDUSTRIES, LTD.

7610 MIRAMAR RD
 SAN DIEGO, CA 92126
 (858) 549-6340
 (858) 549-6345 FAX

BNC PLUG, CRIMP

SIZE	CABLE GROUP	DWG NO.	REV
A	C1	RFB-1106-C1	-
SCALE:	NTS	CAD FILE	OUTLINE
SHEET	1	OF	1